



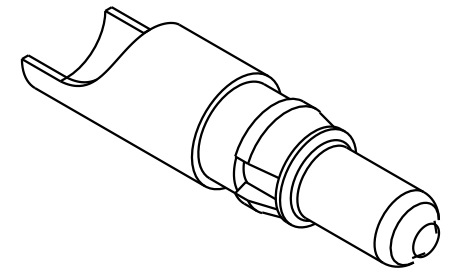
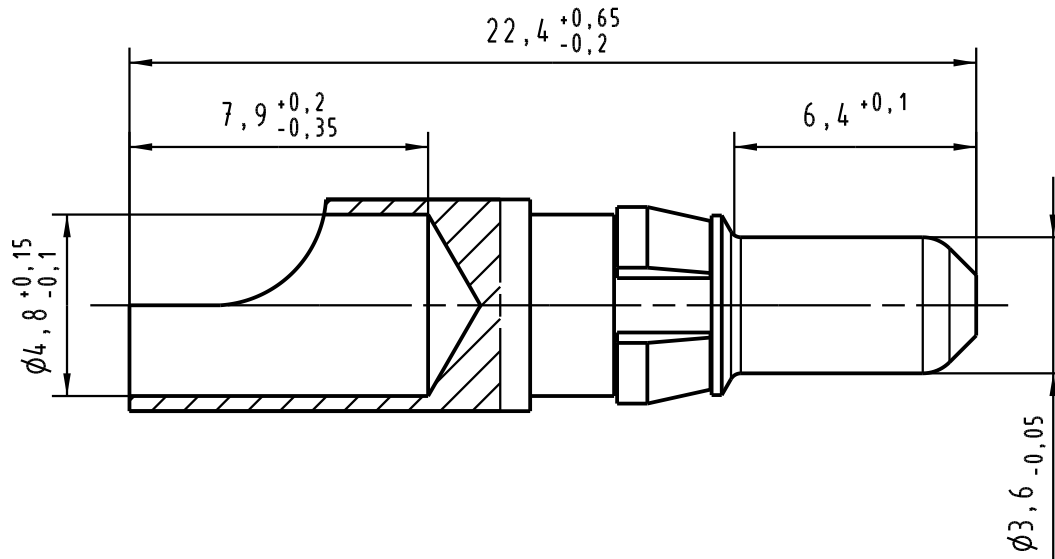
Product details



09 03 000 6103

High current contacts for type M

Description High current contacts, type M
Male contacts
Contacts for male connectors
Working current 40A max.
Standard contacts
Straight solder terminations
Performance level 2 as per IEC 60603-2

RoHS compliant Yes



 All Dimensions in mm Original Size DIN A 4			Techn. Character. DIN 41626 Teil 1			Nicht tolerierte Maßel/Free size tolerances DIN 41626 Teil 1					
				Dat.	Name	Maßstab/Scale 5:1	Hochstromkontaktstift 40A Löt für Messerleiste Typ M male power contact 40A solder for male connector type M				
			Detail.	03.07.02	Rie.						
			Insp.	03.07.02	kfoe						
34044	11.12.06	LehT	Stand.				TB 09 03 000 6103				
32669	18.04.05	Clä	HARTING Electronics GmbH & Co. KG D-32339 ESPELKAMP							Blatt/ page	
30077			Mod.	Dat.	Name					Sub. TB 09 03 000 610. Mod. 14667 v. 21.04.93	